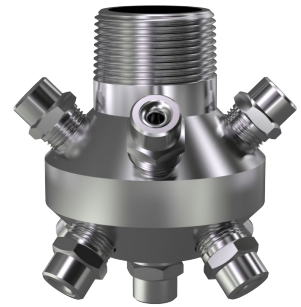


DESCRIPTION

The KN9 nozzle produces a solid cone type spray pattern from its multiple orifice body. The cluster consists of a body fitted with provides relatively uniform distribution at all pressures as well as 360° spray coverage.

- Available in a range of flow capacities and thread sizes
- Available with 1/2" - 1 1/2" Male BSPT thread connection only
- Different spray nozzles can be installed to give non-standard spray
- Made in Brass and Stainless Steel as standard
- Other materials available to special order

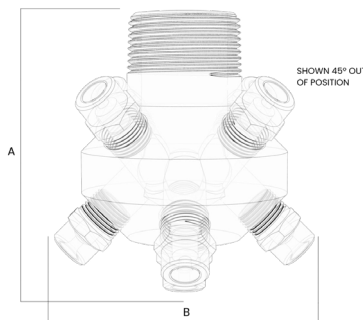


TECHNICAL DATA

TYPE	Nozzles	Thread					Flow rate (lpm) @ pressure (Bar)							
		1/2"	3/4"	1"	1 1/4"	1 1/2"	0,7	1,0	2,0	3,0	4,0	5,0	6,0	7,0
KN9-50	1/4" BNM 6	☑	☑	-	-	-	9,44	11,28	15,98	19,55	22,55	25,24	27,64	29,58
KN9-75	1/4" BNM 7	☑	☑	-	-	-	14,16	16,92	23,97	29,33	33,83	37,86	41,46	44,37
KN9-100	1/4" BNM 8	-	☑	☑	-	-	18,88	22,57	31,92	39,10	45,14	50,48	55,25	58,75
KN9-120	1/4" BNM 11	-	☑	☑	-	-	25,11	29,07	38,79	46,35	49,05	55,29	60,57	66,87
KN9-150	1/4" BNM 16	-	☑	☑	-	-	28,32	33,85	47,87	58,63	67,69	75,69	82,88	88,11
KN9-200	3/8" BNM 20	-	-	☑	☑	-	37,76	45,14	63,83	78,18	90,27	100,9	110,2	117,9
KN9-250	3/8" BNM 25	-	-	☑	☑	-	47,19	56,41	79,78	97,72	112,8	126,1	138,1	146,8
KN9-300	1/2" BNM 32	-	-	-	☑	☑	56,64	67,70	95,74	117,2	135,3	151,3	165,7	176,2
KN9-400	1/2" BNM 37	-	-	-	☑	☑	75,52	90,28	127,6	156,3	180,5	201,8	220,4	235,8
KN9-500	1/2" BNM 48	-	-	-	-	☑	94,38	112,8	159,5	195,5	225,6	252,2	276,2	293,6
KN9-600	1/2" BNM 59	-	-	-	-	☑	113,2	135,4	191,4	234,4	270,6	302,6	331,4	352,4

Maximum Recommended Pressure: 35 Bar.G.

DIMENSIONS



Thread	DIMENSIONS & WEIGHT		
	A	B Dia	Weight
	mm		
1/2"	91,00	69,00	0,97
3/4"	91,00	71,00	1,15
1"	87,00	85,00	1,50
1 1/4"	108,0	95,00	1,79
1 1/2"	146,0	112,0	2,00

HOW TO ORDER

Thread KN9-type material
1" KN9-250 SS