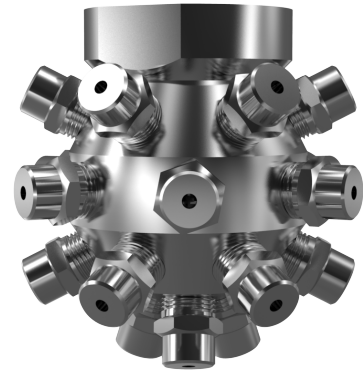


**DESCRIPTION**

The CIP21 produces a full spray pattern from a multiple orifice body with 360° spherical cover for tanks up to 3 meters in diameter. The nozzle body is fitted with 21 removable solid cone spray nozzles. The CIP21 provides relatively uniform distribution at all pressures.

- Available in a range of flow capacities
- Manufactured with a 1 1/2" BSPT Female threaded body
- Different spray nozzles can be installed to give non-standard spray patterns for targeted cleaning
- Made in Brass and Stainless Steel as standard
- Other materials available to special order

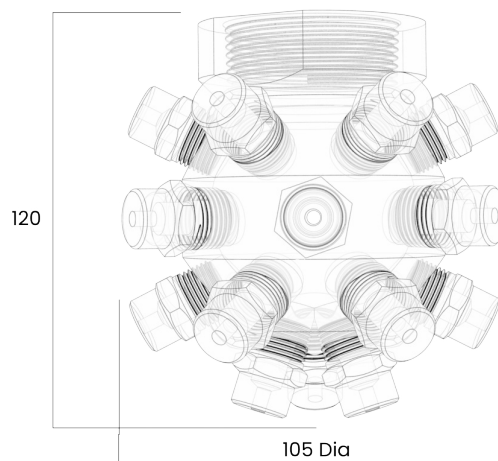


**TECHNICAL DATA**

TYPE	Nozzles	Flow rate (lpm) @ pressure (Bar)								Approx. Diameter of Coverage (mm)		
		@Bar								@Bar		
		0,7	1,0	2,0	3,0	4,0	5,0	6,0	7,0	1,0	3,0	5,0
1 1/2" CIP21-150	1/4" BIM 6	-	31,50	45,78	55,64	60,26	67,37	71,61	74,34	1000	1900	2000
1 1/2" CIP21-200	1/4" BIM 8	-	47,87	67,83	83,98	95,55	104,8	112,9	120,1	1000	1900	2000
1 1/2" CIP21-250	1/4" BIM 12	-	71,61	95,54	111,2	124,1	138,7	147,4	159,1	1200	2400	2500
1 1/2" CIP21-300	3/8" BIM 12	58,59	69,72	99,33	122,4	138,6	154,9	163,5	171,5	1200	2400	2500
1 1/2" CIP21-400	3/8" BIM 16	75,18	92,61	128,9	152,6	167,9	187,7	199,7	210,8	1200	2400	2500
1 1/2" CIP21-500	3/8" BIM 22	107,3	131,1	174,7	205,3	229,1	256,1	277,8	298,9	1500	2990	3100
1 1/2" CIP21-650	3/8" BIM 27	126,8	155,8	211,9	258,7	286,4	320,1	337,2	366,6	1500	2990	3100
1 1/2" CIP21-750	3/8" BIM 32	152,1	186,5	258,7	303,2	335,1	374,6	405,1	428,2	1700	3300	3500
1 1/2" CIP21-1000	3/8" BIM 42	203,1	242,8	335,2	405,1	449,6	478,3	524,0	574,8	1700	3300	3500

Maximum Recommended Pressure: 35 Bar.G.

**DIMENSIONS**



**HOW TO ORDER**

1 1/2" CIP 15- type  
**1 1/2" CIP 15 -380 FC**