

DESCRIPTION

- The rotating head is constructed in SS304 or POM.
- The head is available with clips or welding connection.
- The washing heads ALSMOD5 rotate on drag bearings in Teflon that guarantee an excellent rotation and a low noise.
- The clips on the top of the head facilitate the disassembly of the nozzle for easy maintenance.
- The 5B tank washer in POM (Polyoxymethylene) is only available with a 1 1/4" female thread



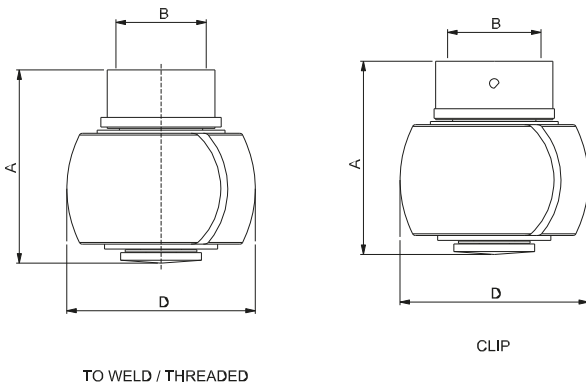
TECHNICAL DATA

TYPE	Connection	Flow rate (lpm) @ pressure (Bar)					Spray Angle (°)	Maximum Spray diameter (m)	Material
		0.5	1	2	3	4			
LSMOD5B.1	WELD	65	87	101	120	141	270° Down	3	SS304
LSMOD5A.1	CLIP	65	87	101	120	141	270° Down	3	SS304
LSMOD5A.2	CLIP	70	91	108	125	165	270° Down	3	SS304
PLSMOD5A.3	1 1/4" F	120	170	230	294	320	270° Down	4	POM

SPRAY PATTERNS



DIMENSIONS



TYPE	DIMENSIONS (mm)		
	A	B	D
LSMOD5B.1	60	23,7	59,5
LSMOD5A.1	60	28	59,5
LSMOD5A.2	60	28	59,5
PLSMOD5A.3	90	1-1/4"	89

HOW TO ORDER

type
LSMOD5A.1