

DESCRIPTION

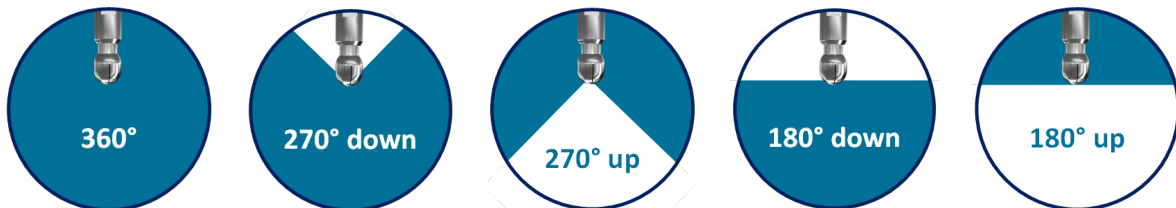
- This small tank cleaner can be used for several applications.
- The smooth finish and excellent quality ensures a perfect rotation even without ball bearings.
- The standard connections is threaded 1/4" or 3/8".
- The body is made out of SS316L while the rotor can be manufactured in SS316L or PTFE/Teflon or PEEK.



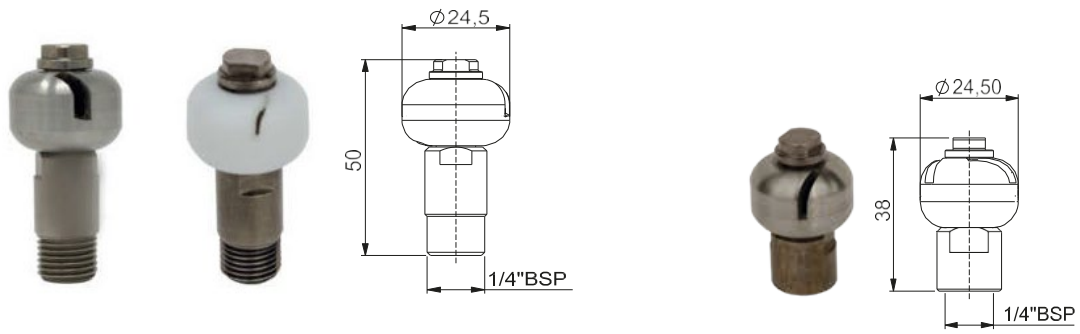
TECHNICAL DATA

TYPE	Flow rate (lpm) @ pressure (Bar)							Connection	Coverage	Radius (m)
	1	2	3	4	5	6	8			
LSMOD1F2.0	4,5	6,0	7,3	8,4	9,5	10,4	11,2	1/4" F	270° DOWN	1,0
LSMOD1F1.9	6,5	9,1	11,2	12,9	14,5	15,8	18,3	1/4" F	270° DOWN	1,0
LSMOD2.1U	8,0	11,4	14,0	16,2	18,0	19,8	22,9	3/8" F	360°	1,0
LSMOD1.2	11,5	16,3	20,0	23,1	25,8	28,3	32,7	1/4" M	360°	1,0
LSMOD1.3	11,5	16,3	20,0	23,1	25,8	28,3	32,7	1/4" M	180° UP	1,0
LSMOD1.4	11,5	16,3	20,0	23,1	25,8	28,3	32,7	1/4" M	180° DOWN	1,0
LSMOD1.7	11,5	16,3	20,0	23,1	25,8	28,3	32,7	1/4" M	180° UP	1,0
LSMOD1.8	11,5	16,3	20,0	23,1	25,8	28,3	32,7	1/4" M	90° DOWN	1,0
LSMOD1.1	13,3	18,8	23,0	26,6	29,7	32,5	37,6	1/4" M	360°	1,0
LSMOD1.5	16,5	23,4	28,6	33,0	36,9	40,4	46,7	1/4" M	360°	1,2
LSMOD1.6	16,5	23,4	28,6	33,0	36,9	40,4	46,7	3/8" F	360°	1,2

SPRAY ANGLES



DIMENSIONS



HOW TO ORDER

Thread type material
3/8" F LSMOD2.1U SS316/SS316