

**DESCRIPTION**

- Standard flat jet nozzle tip with deflector for use on Nozzle body with nut and optional filter
- Even distribution over the entire spray width
- Insensitive to blockage
- Materials: brass, stainless steel 303, stainless steel 316, plastic
- Other materials on request



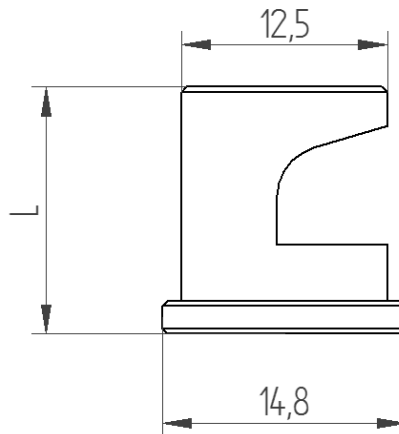
**SPECIFICATIONS**

Type	Orifice Mm	Flow rate (lpm) @ Pressure (bar)								Spray angle @ bar		
		0.35	0.5	0.7	1	1.5	2	3	4	0.5	1.5	4
0.5	0.66	-	0.16	0.19	0.23	0.28	0.32	0.39	0.46	-	90	120
0.75	0.81	-	0.24	0.29	0.34	0.42	0.48	0.59	0.68	-	105	125
1	0.91	-	0.32	0.38	0.46	0.56	0.65	0.79	0.91	-	110	130
1.5	1.1	-	0.48	0.57	0.68	0.84	0.97	1.18	1.37	85	115	135
2	1.2	-	0.65	0.76	0.91	1.12	1.29	1.57	1.82	90	115	135
2.5	1.3	-	0.81	0.95	1.14	1.4	1.61	1.96	2.28	90	115	135
3	1.5	0.8	0.97	1.14	1.38	1.66	1.92	2.37	2.72	95	120	135
4	1.8	1.08	1.29	1.53	1.82	2.23	2.59	3.14	3.65	100	120	140
5	2	1.33	1.61	1.92	2.28	2.79	3.21	3.94	4.42	115	130	150
6	2.2	1.61	1.93	2.29	2.74	3.35	3.87	4.71	5.47	120	130	150
7.5	2.4	2.01	2.4	2.84	3.39	4.36	4.91	5.92	6.7	130	140	160
10	2.7	2.7	3.23	3.81	4.46	5.49	6.29	7.91	9.38	135	145	160
15	3.3	4.16	4.99	5.67	6.7	8.24	9.64	11.8	13.8	110	125	140
18	3.6	5.03	5.7	6.86	8.17	9.84	11.6	14.2	16.4	130	140	160
20	3.8	5.35	6.56	7.59	8.93	11	13	15.7	18.3	130	140	160
25	4.2	6.86	8.09	9.61	11.6	13.8	16.10	19.72	22.8	115	140	140
30	4.6	8	9.7	11.4	13.8	16.6	19	23.7	27.2	120	130	145

**DIMENSIONS**

Brass/stainless steel L=15mm

Plastic L = 18 mm



**HOW TO ORDER**

TEXTRA D Type Material

**TEXTRA D7.5 RVS316**