

**DESCRIPTION**

- Available with 1 ¼” thread an clip connection
- The rotating heads are made of stainless steel AISI 316 and they are placed on two spherical bearings.
- All the internal and external surfaces are machined worked with accuracy and they are smooth.
- The heads are available in two different connections: female thread and clip
- Material: SS316L



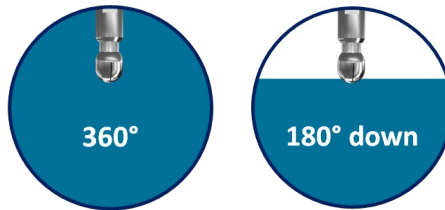
**TECHNICAL DATA**

THREADED VERSION										
	Connection	Flow rate (lpm) @ pressure (Bar)			Spray Angle (°)					Maximum Spray diameter (m)
TYPE		1	2	3	360°	180° Up	180° Down	270° Up	270° Down	
ALSMOD3L.1	1 ¼” F	200.00	258.00	300.00	☑	-	☑	-	-	3.2m – 4.6m
ALSMOD 3L.2	1 ¼” F	133.30	196.90	233.30	☑	-	☑	-	-	3.2m – 4.6m

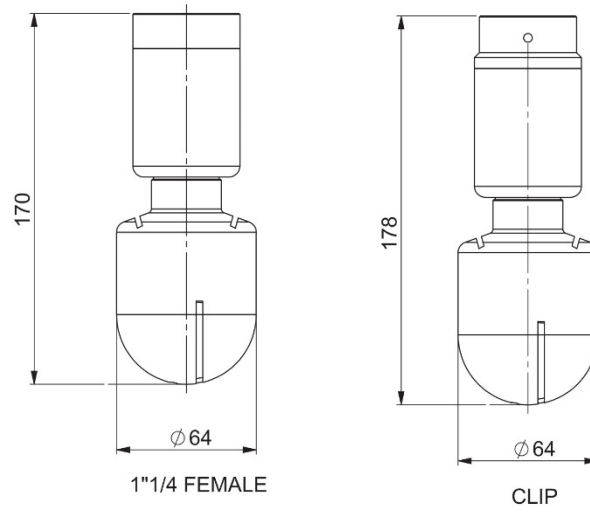
  

CLIP VERSION										
	Connection (mm)	Flow rate (lpm) @ pressure (Bar)			Spray Angle (°)					Maximum Spray diameter (m)
TYPE		1	2	3	360°	180° Up	180° Down	270° Up	270° Down	
ALSMOD 3L.3	Ø 38,5 + 40,5	200.00	258.00	300.00	☑	-	☑	-	-	3.2m – 4.6m
ALSMOD3L.4	Ø 38,5 + 40,5	133.30	196.90	233.30	☑	-	☑	-	-	3.2m – 4.6m

**SPRAY PATTERNS**



**DIMENSIONS**



**HOW TO ORDER**

type  
**ALSMOD 3L.3**